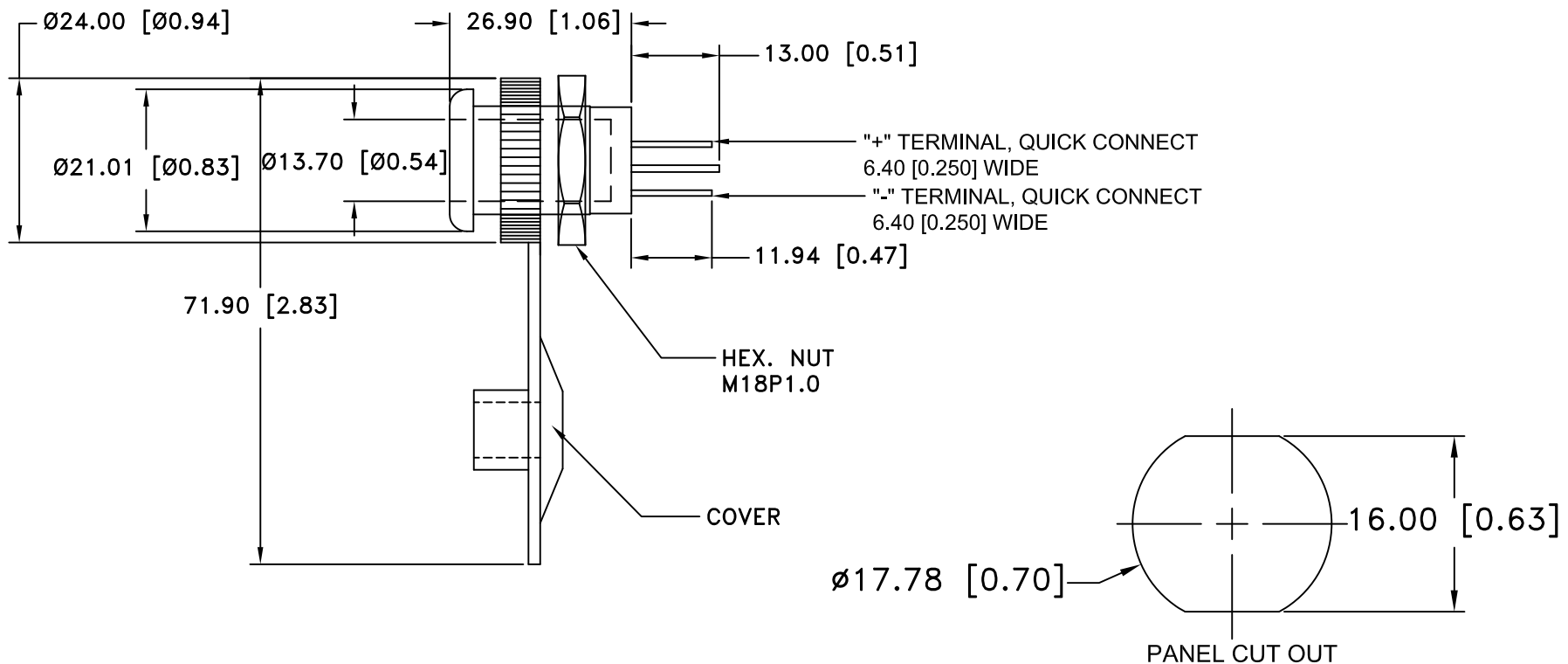



Date	SYM	REVISION RECORD	AUTH	DR.	CK.
12/16/11	A	ADDED PANEL CUT OUT ADDED TERMINAL TYPE	T.B.	B.S.	
05/04/12	B	UPDATED TITLE ADDED DIM. Ø24.00, Ø13.70	T.B.	B.S.	



MATERIAL SPECIFICATION:  
 INNER TUBE: BRASS, NICKEL PLATED  
 NUT: IRON, NICKEL PLATED  
 OUTER SHELL: NYLON  
 TERMINALS: BRASS, NICKEL PLATED  
 COVER: PVC  
 RATING: DC12V-24V, 15A MAX.

ROHS COMPLIANT

Tolerance (Except as noted)	 <b>Memory Protection Devices, Inc</b> 200 Broad Hollow Road, Farmingdale, New York 11735	Scale	Drawn By B.S.
			Approved By T.B.
decimal ±.5 (.020)	Title 12V CIGARETTE SOCKET, PANEL MOUNT DIN 4165, 12mm SOCKET		
Fractional ± .8 (.030)		Date 05/04/12	Drawing Number AS213
Angular ± 3°			